

Features

- Oval basin creates a spacious bathing experience
- Spacious design accommodates up to two bathers
- Integral lumbar support and armrests offer extra comfort while bathing
- Integral flange helps prevent water from seeping behind wall and simplifies alcove installation

Material

- Acrylic

Installation

- Left drain
- Alcove



Codes/Standards

CSA B45.5/IAPMO Z124
ASTM E162
ASTM E662

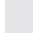

KOHLER® Plastic Baths and Receptors Lifetime Limited Warranty

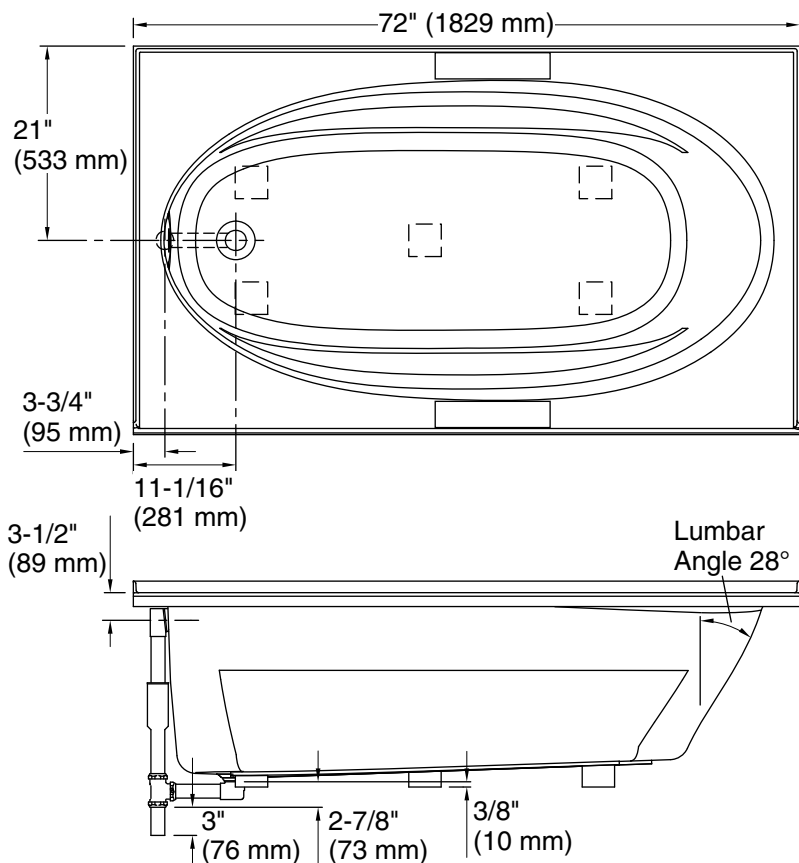
See website for detailed warranty information.

Available Colors/Finishes

Color tiles intended for reference only.

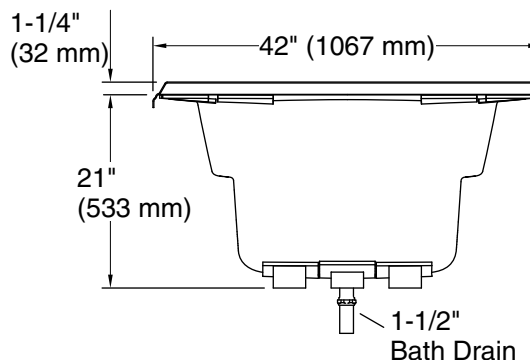
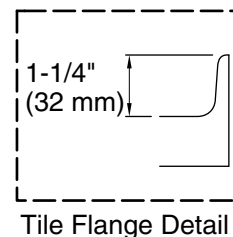
| Color | Code | Description |
|-------|------|-------------|
|-------|------|-------------|

| | | |
|---|----|---------|
|  | 0 | White |
|  | 96 | Biscuit |



No change in measurements if connected with drain illustrated. (K-11677)

 Recommended Faucet Location



Technical Information

All product dimensions are nominal.

| | |
|------------------------|---|
| Installation: | Three-wall alcove |
| Drain location: | Left |
| Basin area, bottom: | 55" x 23-1/4" (1397 mm x 591 mm) |
| Basin area, top: | 64" x 32" (1626 mm x 813 mm) |
| Weight: | 100 lbs (45.4 kg) |
| Minimum floor load: | 38 lbs/ft ² (185.5 kg/m ²) |
| Water depth: | 15" (381 mm) |
| Water capacity: | 78.5 gal (297.2 L) |
| Minimum flat for door: | 3-1/16" (78 mm) |

Notes

Measure your actual product for rough-in details.

Install this product according to the installation instructions.

The hot water supply should be 70% of the capacity of the bath or greater. Installations will vary.

If installing a rim-mount faucet, make sure there is no interference above or below the deck before drilling any holes.